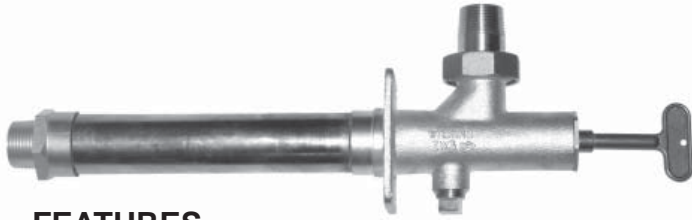


# SPECIFICATION SUBMITTAL SHEET



## FEATURES

- Maximum working pressure 175 PSI
- Maximum working water temp. 140° F
- 3/8" Vandal resistant valve hex key
- Integral rectangular cover plate with mounting holes
- 1/2" drain and plug
- End connections:  
Inlet - 3/4" FNPT x 1" MNPT (standard)  
Outlet - 1" tailpiece with union connection

Available in 8", 10" and 12" lengths to accommodate varying wall thickness.

## OPTIONS

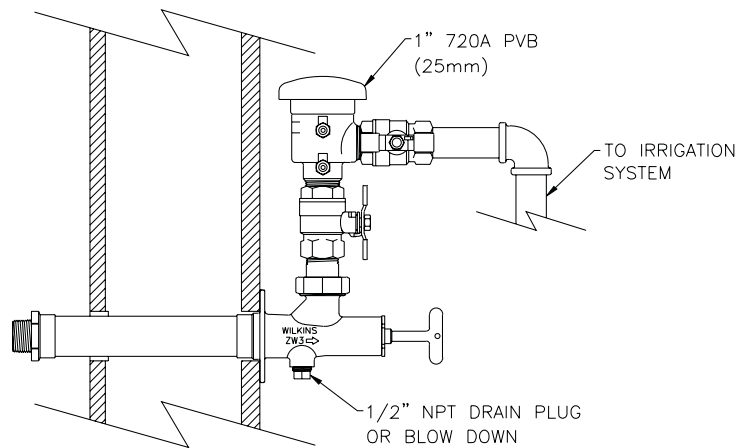
- C - with 1" Copper Sweat Outlet Tailpiece
- F - with 1" FNPT Outlet Tailpiece

MODEL	DIMENSIONS (approx.)		WEIGHT	
	A		lbs.	kg
	in.	mm		
ZW3-8	8	200	4.2	1.9
ZW3-10	10	250	4.5	2
ZW3-12	12	300	4.8	2.2

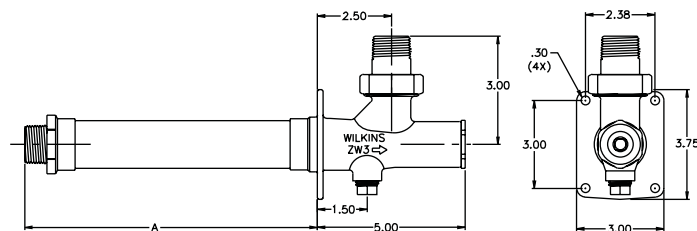
## APPLICATIONS

The ZW3 is intended for any application where "Through the wall" water control is desired. Primarily intended for irrigation applications, the ZW3 valve provides outdoor access to an indoor water supply via a vandal resistant valve key. Some applications may include:

- System Winterizing
- System repairs
- System isolation



TYPICAL INSTALLATION



## FLOW CHARACTERISTICS

